



# MW JACK OFF CAMPER



Electric Pop-up Roof



100L water tank



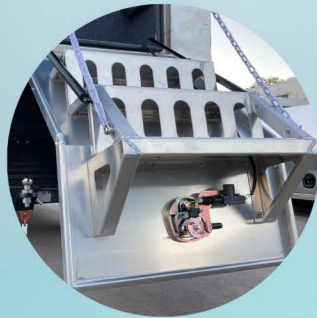
Lift-off compatible



270 degree awning



Build-in 12V system



Central locking with remote control



LED lighting



Fridge & Kitchen area



Tap with pump connection



Electric roof fans



Sofa with foldable table



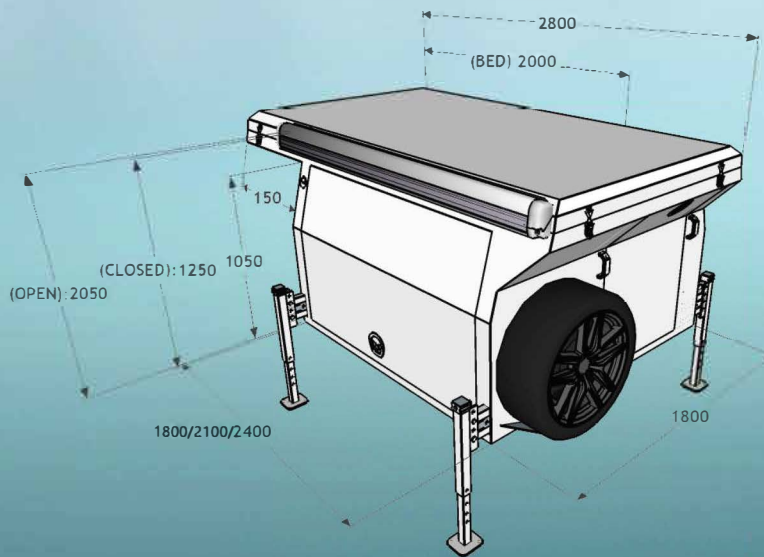
Roof with uni-struts

Model	Dual Cab	Space Cab	Single Cab
Material	2.5mm Heavy-duty Aluminum		
Body Length (mm)	1800	2100	2400
Total Length (mm)	2800		
Body Width (mm)	1800		
Body Height (mm)	1050		
Pop Up Total Height (mm)	1250		
Dry Weight (kg)	450	500	550
Price (AUD GST inc.)	\$24,999	\$26,999	\$27,999
<b>Optional Extras</b>			
BUSHMAN DC130-X		\$1,645	\$150 (fitting)
Jack-off Legs x 4		\$800	

**Electrical System Package**

- ✓ Motop 220W Solar Panel
- ✓ Enerdrive 200ah Lithium Battery
- ✓ Enerdrive 2000W inverter
- ✓ Enerdrive Solar Reg. & DC/DC Charger
- ✓ Victron MV-712 Battery Monitor

**\$5,100**



**MW Toolbox Manufacturing VIC**

[www.toolboxmel.com.au](http://www.toolboxmel.com.au) 1800 554 434

[mwtoolboxmel](https://www.facebook.com/mwtoolboxmel)

[mwtoolboxcentrevictoria](https://www.instagram.com/mwtoolboxcentrevictoria)

